



Intellectual
Property
Office

Certificate of Registration for a UK Design

Design number: 6296733

Grant date: 23 July 2023

Registration date: 17 July 2023

This is to certify that,

in pursuance of and subject to the provision of Registered Designs Act 1949, the design of which a representation or specimen is attached, had been registered as of the date of registration shown above in the name of

GOPI KRISHNA KUNCHALA, SADI SIBANI REDDY, LALATENDU BIDYADHAR

SAHOO, Dr. MAHAMMAD AKIFUL HAQUE, DR PAMULA REDDY BHAVANAM,

Dr. HEENA FAROOQUI, RAJESHWAR VODETI

in respect of the application of such design to:

Ampoule sealing and Filling apparatus

International Design Classification:

Version: 14-2023

Class: 24 MEDICAL AND LABORATORY EQUIPMENT

Subclass: 01 APPARATUS AND EQUIPMENT FOR DOCTORS, HOSPITALS
AND LABORATORIES

Adam Williams

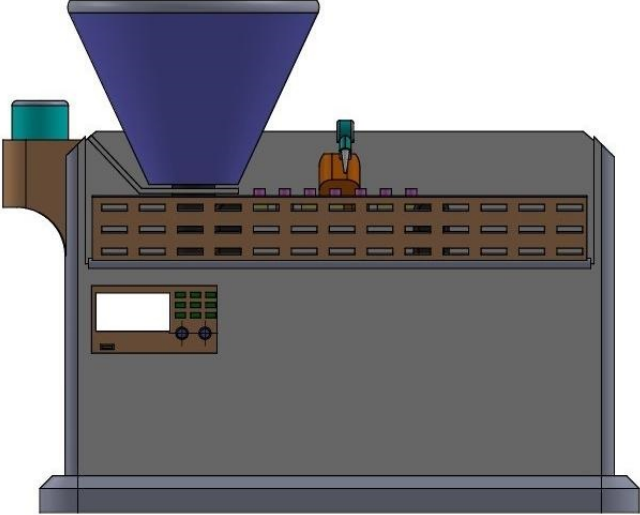
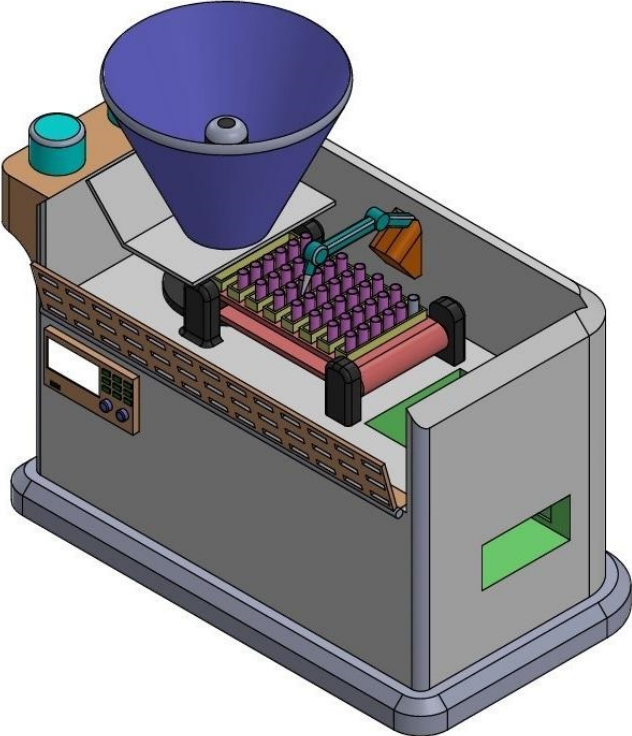
Comptroller-General of Patents, Designs and Trade Marks

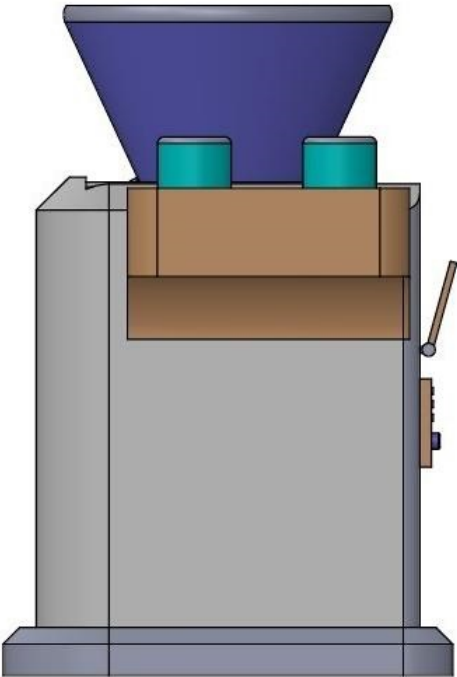
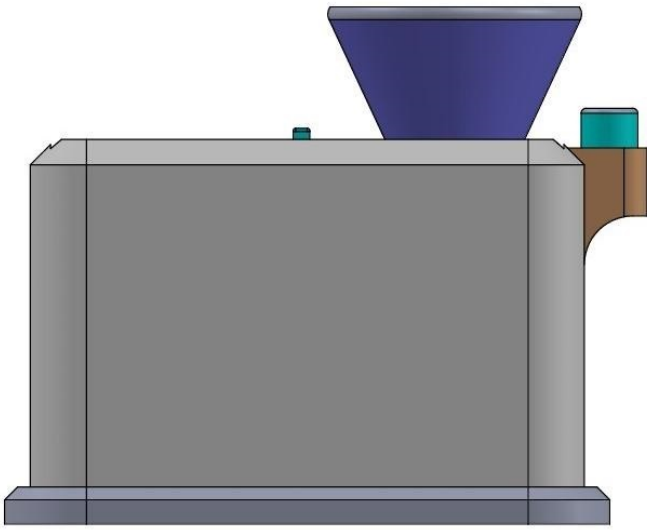
Intellectual Property Office

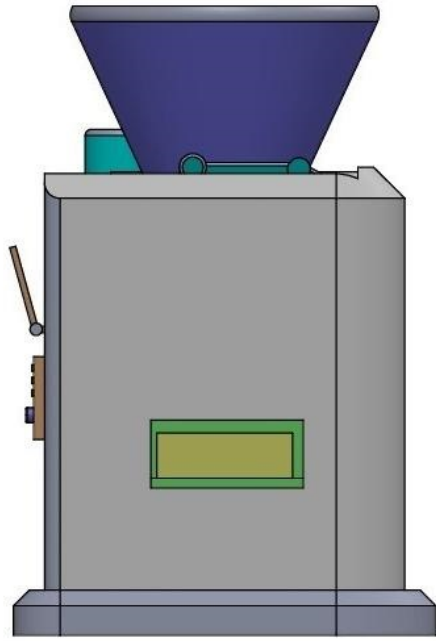
The attention of the Proprietor(s) is drawn to the important notes overleaf.

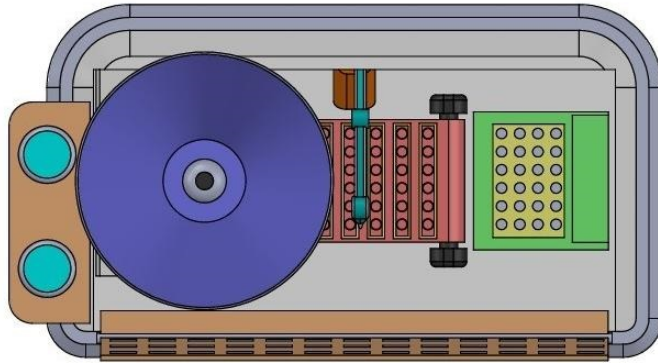


Representation of Designs









Intellectual Property Office is an operating name of the Patent Office

www.gov.uk/ipo