

ORIGINAL

क्रम सं/ Serial No. : 147717



पेटेंट कार्यालय, भारत सरकार

The Patent Office, Government Of India

डिजाइन के पंजीकरण का प्रमाण पत्र

Certificate of Registration of Design

डिजाइन सं. / Design No.

395937-001

तारीख / Date

25/09/2023

पारस्परिकता तारीख / Reciprocity Date*

देश / Country

प्रमाणित किया जाता है कि संलग्न प्रति में वर्णित डिजाइन जो ARTIFICIAL INTELLIGENCE BASED FACE RECOGNITION ACCESS CONTROL SYSTEM से संबंधित है, का पंजीकरण, श्रेणी 10-05 में 1.Dr. Himanshu Gupta 2. Dr. Nisha Agarwal 3.Mr. Akash Kumar Arya 4.Dr. Bhuwan Gupta 5.Dr. Richa Gupta 6.Mr. Shobhit Kumar के नाम में उपर्युक्त संख्या और तारीख में कर लिया गया है।

Certified that the design of which a copy is annexed hereto has been registered as of the number and date given above in class 10-05 in respect of the application of such design to ARTIFICIAL INTELLIGENCE BASED FACE RECOGNITION ACCESS CONTROL SYSTEM in the name of 1.Dr. Himanshu Gupta 2. Dr. Nisha Agarwal 3.Mr. Akash Kumar Arya 4.Dr. Bhuwan Gupta 5.Dr. Richa Gupta 6.Mr. Shobhit Kumar.

डिजाइन अधिनियम, 2000 तथा डिजाइन नियम, 2001 के अध्याधीन प्रावधानों के अनुसरण में।

In pursuance of and subject to the provisions of the Designs Act, 2000 and the Designs Rules, 2001.

जारी करने की तिथि : 06/11/2023
Date of Issue

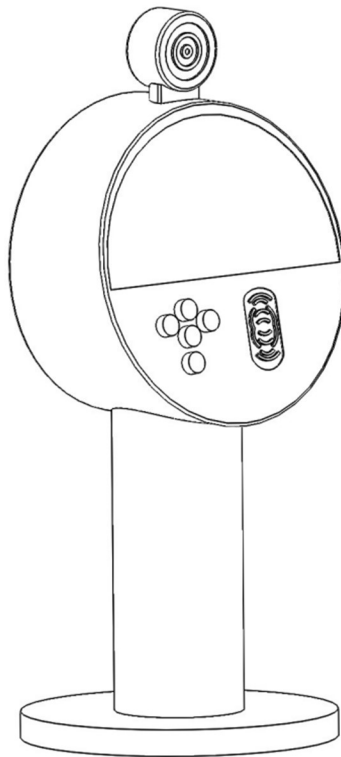


Handwritten signature

महानियंत्रक पेटेंट, डिजाइन और व्यापार चिह्न
Controller General of Patents, Designs and Trade Marks

*पारस्परिकता तारीख (यदि कोई हो) जिसकी अनुमति दी गई है तथा देश का नाम। डिजाइन का स्वत्वाधिकार पंजीकरण की तारीख से दस वर्षों के लिए होगा जिसका विस्तार, अधिनियम एवं नियम के निबंधनों के अधीन, पाँच वर्षों की अतिरिक्त अवधि के लिए किया जा सकेगा। इस प्रमाण पत्र का उपयोग विधिक कार्यवाहियों अथवा विदेश में पंजीकरण प्राप्त करने के लिए नहीं हो सकता है।
The reciprocity date (if any) which has been allowed and the name of the country. Copyright in the design will subsist for ten years from the date of Registration, and may under the terms of the Act and Rules, be extended for a further period of five years. This Certificate is not for use in legal proceedings or for obtaining registration abroad.

Dr. Himanshu Gupta
Dr. Nisha Agarwal
Mr. Akash Kumar Arya
Dr. Bhuwan Gupta
Dr. Richa Gupta
Mr. Shobhit Kumar



PERSPECTIVE VIEW

The novelty resides in the shape and configuration of the “ARTIFICIAL INTELLIGENCE BASED FACE RECOGNITION ACCESS CONTROL SYSTEM” as illustrated.

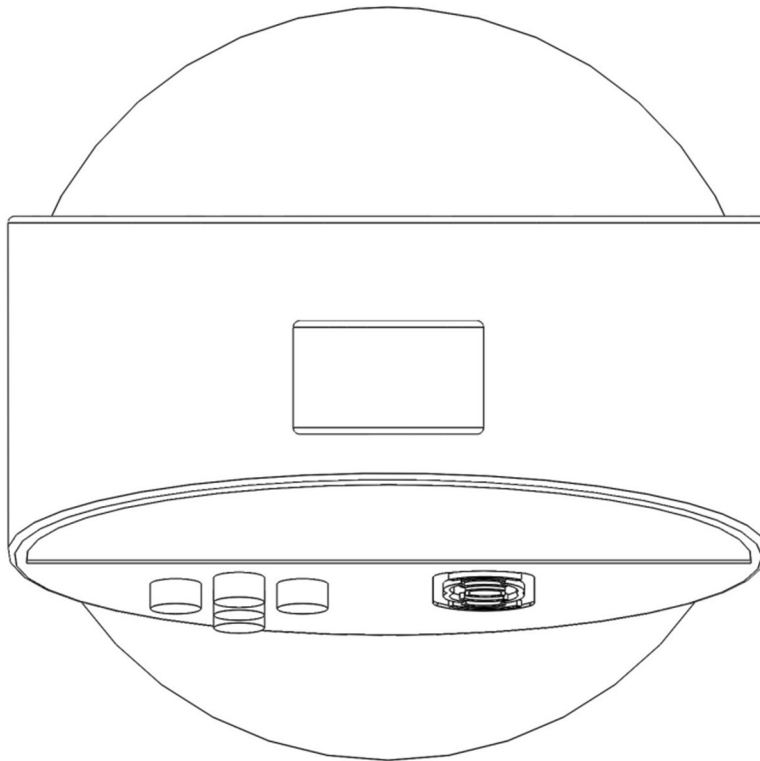
No claim is made by virtue of this registration of respect of any mechanical or other action of any mechanism whether or in respect of any mode or principle of construction of the article.

No claim is made by virtue of this registration to any right to the exclusive use of trade marks, words or letters and numerals appearing in the design of the article.

No claim is made by virtue of this registration to any right to the exclusive use of colour or colour combination appearing in the design of the article.

No claim is made by virtue of this registration to any right to the exclusive use of icons, symbols appearing in the design of the article.

Dr. Himanshu Gupta
Dr. Nisha Agarwal
Mr. Akash Kumar Arya
Dr. Bhuwan Gupta
Dr. Richa Gupta
Mr. Shobhit Kumar



TOP VIEW

The novelty resides in the shape and configuration of the “ARTIFICIAL INTELLIGENCE BASED FACE RECOGNITION ACCESS CONTROL SYSTEM” as illustrated.

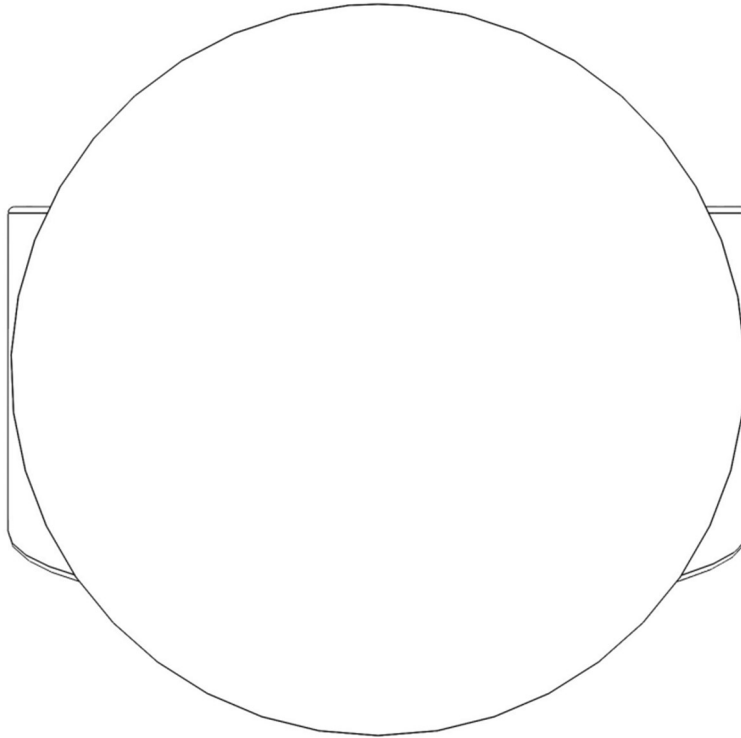
No claim is made by virtue of this registration of respect of any mechanical or other action of any mechanism whether or in respect of any mode or principle of construction of the article.

No claim is made by virtue of this registration to any right to the exclusive use of trade marks, words or letters and numerals appearing in the design of the article.

No claim is made by virtue of this registration to any right to the exclusive use of colour or colour combination appearing in the design of the article.

No claim is made by virtue of this registration to any right to the exclusive use of icons, symbols appearing in the design of the article.

Dr. Himanshu Gupta
Dr. Nisha Agarwal
Mr. Akash Kumar Arya
Dr. Bhuwan Gupta
Dr. Richa Gupta
Mr. Shobhit Kumar



BOTTOM VIEW

The novelty resides in the shape and configuration of the “ARTIFICIAL INTELLIGENCE BASED FACE RECOGNITION ACCESS CONTROL SYSTEM” as illustrated.

No claim is made by virtue of this registration of respect of any mechanical or other action of any mechanism whether or in respect of any mode or principle of construction of the article.

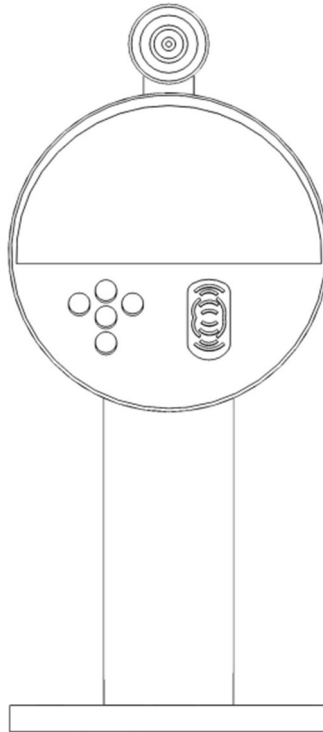
No claim is made by virtue of this registration to any right to the exclusive use of trade marks, words or letters and numerals appearing in the design of the article.

No claim is made by virtue of this registration to any right to the exclusive use of colour or colour combination appearing in the design of the article.

No claim is made by virtue of this registration to any right to the exclusive use of icons, symbols appearing in the design of the article.

Date 25 September 2023

Dr. Himanshu Gupta
Dr. Nisha Agarwal
Mr. Akash Kumar Arya
Dr. Bhuwan Gupta
Dr. Richa Gupta
Mr. Shobhit Kumar



FRONT VIEW

The novelty resides in the shape and configuration of the “ARTIFICIAL INTELLIGENCE BASED FACE RECOGNITION ACCESS CONTROL SYSTEM” as illustrated.

No claim is made by virtue of this registration of respect of any mechanical or other action of any mechanism whether or in respect of any mode or principle of construction of the article.

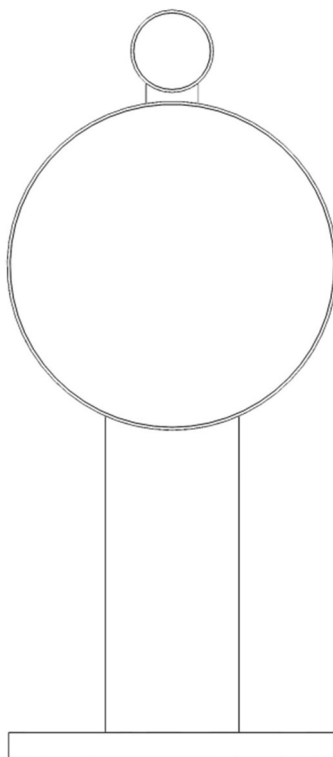
No claim is made by virtue of this registration to any right to the exclusive use of trade marks, words or letters and numerals appearing in the design of the article.

No claim is made by virtue of this registration to any right to the exclusive use of colour or colour combination appearing in the design of the article.

No claim is made by virtue of this registration to any right to the exclusive use of icons, symbols appearing in the design of the article.

Date 25 September 2023

Dr. Himanshu Gupta
Dr. Nisha Agarwal
Mr. Akash Kumar Arya
Dr. Bhuwan Gupta
Dr. Richa Gupta
Mr. Shobhit Kumar



BACK VIEW

The novelty resides in the shape and configuration of the “ARTIFICIAL INTELLIGENCE BASED FACE RECOGNITION ACCESS CONTROL SYSTEM” as illustrated.

No claim is made by virtue of this registration of respect of any mechanical or other action of any mechanism whether or in respect of any mode or principle of construction of the article.

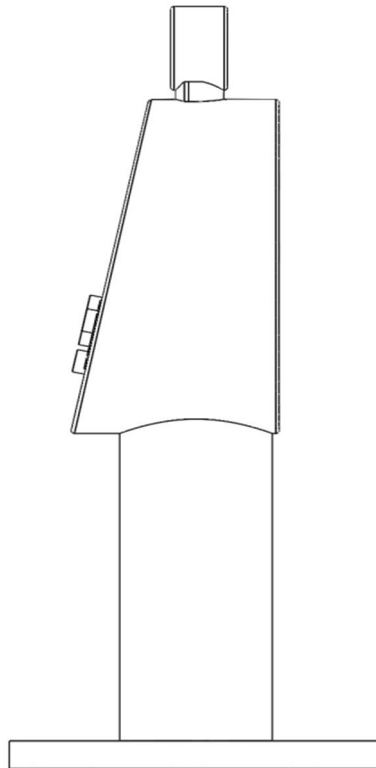
No claim is made by virtue of this registration to any right to the exclusive use of trade marks, words or letters and numerals appearing in the design of the article.

No claim is made by virtue of this registration to any right to the exclusive use of colour or colour combination appearing in the design of the article.

No claim is made by virtue of this registration to any right to the exclusive use of icons, symbols appearing in the design of the article.

Date 25 September 2023

Dr. Himanshu Gupta
Dr. Nisha Agarwal
Mr. Akash Kumar Arya
Dr. Bhuwan Gupta
Dr. Richa Gupta
Mr. Shobhit Kumar



RIGHT VIEW

The novelty resides in the shape and configuration of the “ARTIFICIAL INTELLIGENCE BASED FACE RECOGNITION ACCESS CONTROL SYSTEM” as illustrated.

No claim is made by virtue of this registration of respect of any mechanical or other action of any mechanism whether or in respect of any mode or principle of construction of the article.

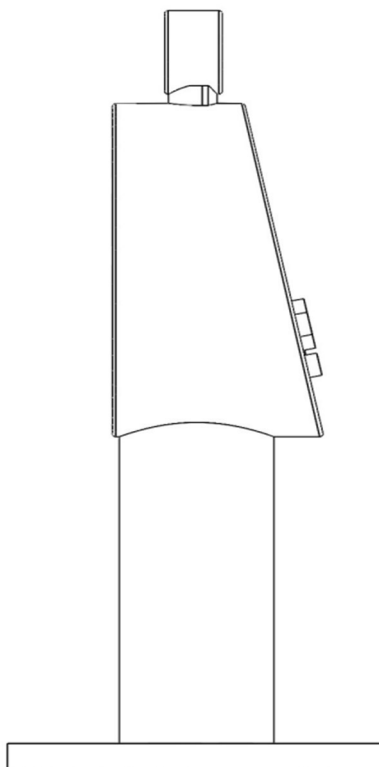
No claim is made by virtue of this registration to any right to the exclusive use of trade marks, words or letters and numerals appearing in the design of the article.

No claim is made by virtue of this registration to any right to the exclusive use of colour or colour combination appearing in the design of the article.

No claim is made by virtue of this registration to any right to the exclusive use of icons, symbols appearing in the design of the article.

Date 25 September 2023

Dr. Himanshu Gupta
Dr. Nisha Agarwal
Mr. Akash Kumar Arya
Dr. Bhuwan Gupta
Dr. Richa Gupta
Mr. Shobhit Kumar



LEFT VIEW

The novelty resides in the shape and configuration of the “ARTIFICIAL INTELLIGENCE BASED FACE RECOGNITION ACCESS CONTROL SYSTEM” as illustrated.

No claim is made by virtue of this registration of respect of any mechanical or other action of any mechanism whether or in respect of any mode or principle of construction of the article.

No claim is made by virtue of this registration to any right to the exclusive use of trade marks, words or letters and numerals appearing in the design of the article.

No claim is made by virtue of this registration to any right to the exclusive use of colour or colour combination appearing in the design of the article.

No claim is made by virtue of this registration to any right to the exclusive use of icons, symbols appearing in the design of the article.

Date 25 September 2023